



ROCKWOOL®

FIREPRO®

SP Firestop Systems



The purpose-made solution
for cavity fire stopping

SP Firestop Systems

The purpose-made solution for cavity fire stopping

As part of the comprehensive FIREPRO® range of fire protection products, ROCKWOOL® SP Firestop Slab is a product specifically designed to form cavity fire stops within buildings.

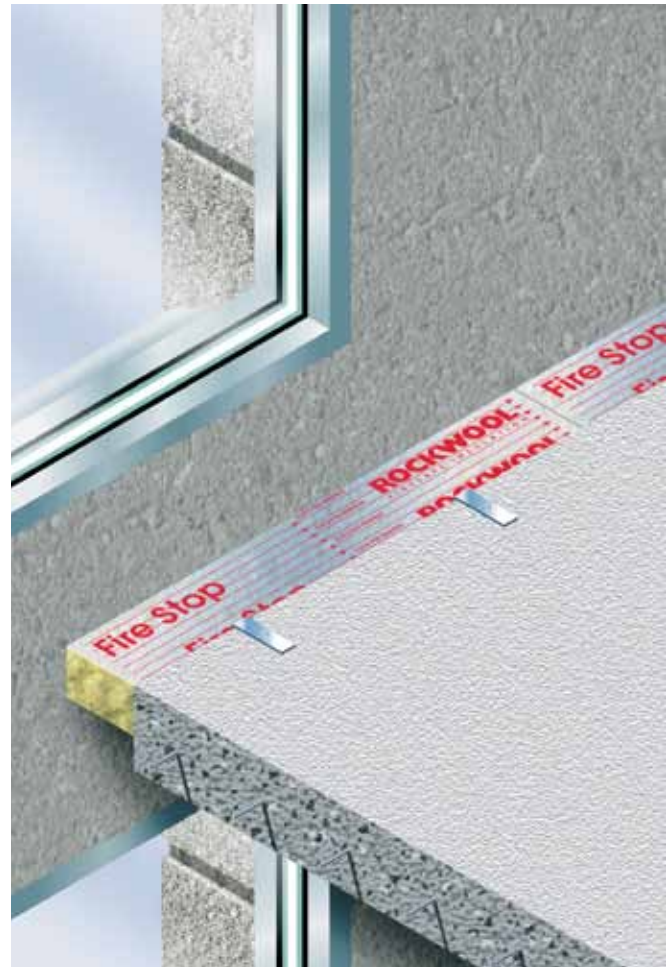
It may be installed horizontally or vertically and is suitable for cavity widths between 50mm and 400mm, in both masonry and curtain wall constructions.

NB: For cavity widths of 250mm or more, joints between adjacent lengths of firestops should be sealed on the top surface with aluminium foil tape. The product has been designed as a one-piece system and allows easy cutting and installation. It provides a unique lateral compression to facilitate tightness of fit.

The product is available in two versions:
 SP 60 Slab, provides 1 hour fire resistance.
 SP 120 Slab, provides 2 hours fire resistance.

General benefits:

- Easy to cut and install
- Ensures site tolerances are accommodated
- Independently tested to provide 2 hours of fire resistance
- Resists the passage of smoke – aluminium foil faced on both sides
- Suitable for cavity widths up to 400mm
- Easy site storage and handling
- Quality assured to BS EN ISO 9001



SP Firestop Slabs at floor / external wall junction
 International Patent App. PCT/GB98/01733



The following NBS Plus clauses include
 'SP Firestop System': F30-18, F30-180, P10-432, P12-40, P12-360

Description, performance & properties

Description

Shape & dimensions

ROCKWOOL® SP 60 Firestop Slab: 1000 x 650 x 75mm thick
 ROCKWOOL® SP 120 Firestop Slab: 1000 x 650 x 90mm thick
 The products are faced on both sides with reinforced aluminium foil to give Class 0 rating and excellent smoke resistance.

Both slabs are designed to be cut on-site, to produce cavity fire stops of 1000mm length and in widths to suit individual cavity sizes, as shown in Figure 1.

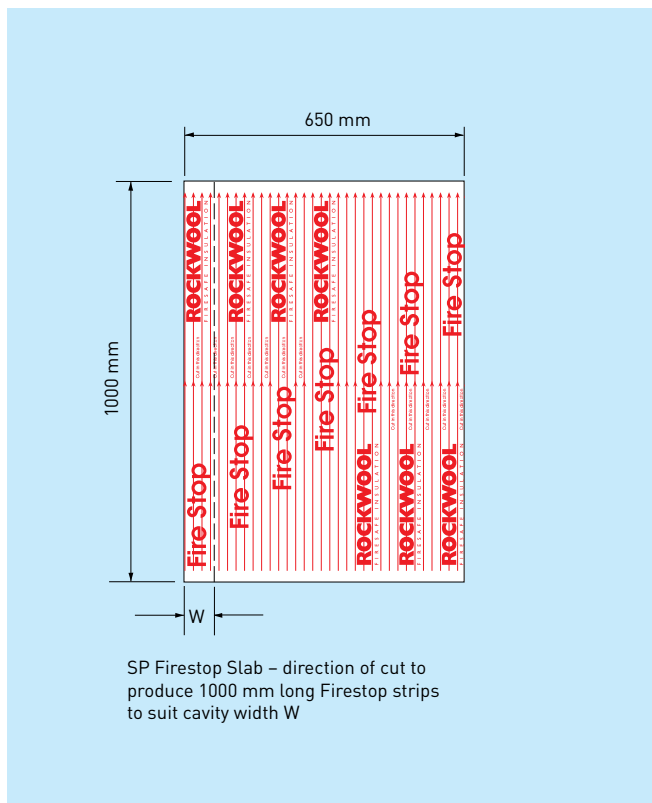


Figure 1 Pinched Dovetail Infill Strips over lengths of Firestop 2 or 3A

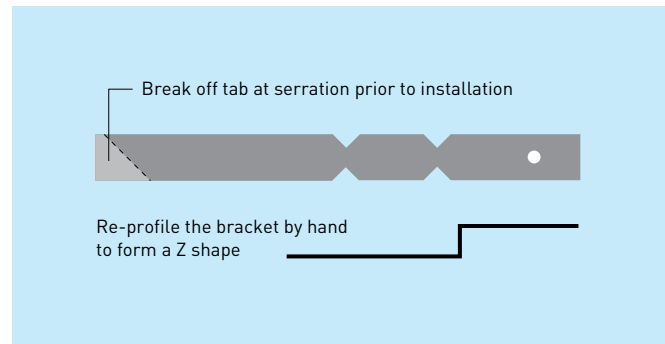


Figure 2 SP Firestop Fixing Bracket

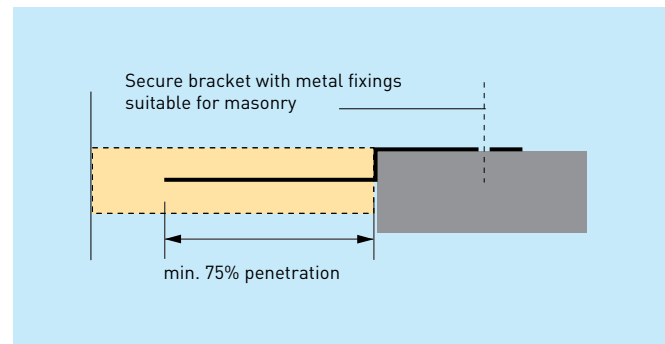


Figure 3 Sectional view of Firestop Slab and Bracket

Accessories

ROCKWOOL® SP Fixing Brackets* are required for the installation (figure B). They are supplied in two standard types, namely SP/S Fixing Bracket designed for cavities up to, and including 100mm wide and SP/L Fixing Bracket for cavities over 100mm and up to 400mm wide.

Brackets are supplied in cardboard boxes, flat packed, and are designed to be easily re-profiled by hand on site. The SP Fixing Brackets should be cut on site as necessary to allow at least 75% penetration of the Firestop.

*Please note: In order to comply with the fire test certification, only ROCKWOOL® SP Fixing Brackets should be used to install the product.

Standards & approvals

ROCKWOOL® SP 60 and SP 120 Firestop Slabs have been tested and assessed in accordance with BS 476: Part 20: 1987 and have achieved 60 minutes and 120 minutes respectively for both integrity and insulation, as detailed in LPC assessment CC89697.

ROCKWOOL® SP 60 and SP 120 Firestop Slabs comply with the provisions of Approved Document B3 of the 1991 building Regulations (2002 edition).

SP Firestop Systems are third party approved by the Loss Prevention Council Certification board (LPCB) for performance and quality and are listed in the **Red Book** - certificate no. 022b. Certificates can be accessed online at www.rockwool.co.uk or www.redbooklive.com

Performance

Fire

The base mineral wool of ROCKWOOL® SP 60 and SP 120 Firestop Slabs is inherently fire safe and achieves Euro Class A1. ROCKWOOL® products will withstand temperatures of up to 1000°C without melting.

Acoustic

ROCKWOOL® products have excellent acoustic properties, and can significantly reduce the levels of airborne sound transmission through wall and floor cavities.

Resistance to moisture

ROCKWOOL® SP 60 and SP 120 Firestop Slabs are water repellent and unaffected by the freeze/thaw cycle.

Applications

Fire resistance between the edge of a concrete floor slab and curtain walling which is stable in fire.

ROCKWOOL® SP 60 and SP 120 Firestop Slabs provide one and two hours fire resistance respectively in voids up to 400mm wide.

Please note: Curtain walling systems should be adequately restrained to the floor.

Figure D illustrates a typical arrangement, using SP Fixing Brackets at 500mm centres.

Masonry wall cavities

ROCKWOOL® SP 60 and SP 120 Firestop Slabs provide one and two hours fire resistance respectively in masonry wall cavities up to 400mm wide. They can be used both horizontally and vertically.

Figure 5 illustrates typical applications, with the product fitted tightly between masonry leaves. When it is not possible to build the brackets into a leaf, the fixings can be re-profiled as necessary and mechanically fixed to the face of the masonry.

The application of ROCKWOOL® SP Firestop Slabs is the responsibility of the site operator. Fixing sequence instructions are shown clearly on each pack as well as cutting guide lines on the surface of each slab.

External cladding

Where used in conjunction with profiled metal cladding, cut the ROCKWOOL® SP Firestop Slab to suit the profile.

Suitable for cavity widths up to 400mm*

Sitework

General

ROCKWOOL® SP Firestop Slabs are designed for cutting on site with a sharp knife or saw and a straight edge. The cavity to be firestopped should be measured and the ROCKWOOL® SP Firestop Slab cut to suit this dimension, using one piece only per gap width – see Figures 4 and 5.

For easy compression fitting and to accommodate the fixing pattern, cutting should be along the 1000mm width as indicated in figure 1.

The SP Fixing Brackets are then re-profiled by hand and cut as necessary to allow at least 75% penetration of the fire stop material.

They should be placed as shown in the diagrams, or fixed by other suitable mechanical means.

General

The fixing sequence is as follows:

- Cut the ROCKWOOL® SP Firestop Slab allowing an additional 3–5mm for compression when fitted.
- The ROCKWOOL® SP 60 or SP 120 Firestop Slab is impaled onto the SP Fixing Brackets at the rate of 2 per 1000mm length, fixed at 500mm ±10mm centres, as shown in Figure D. The SP Fixing Brackets should be placed 250mm ±10mm in from each end of the ROCKWOOL® SP Firestop Slab.
- The product should then be fitted securely into the void, and tightly butted to the adjacent ROCKWOOL® SP Firestop Slab.
- Once the ROCKWOOL® SP Firestop Slab has been accurately fitted, the SP Fixing Brackets must then be mechanically fixed to the edge of the floor slab with metal fixings suitable for masonry.

Masonry wall cavities

The fixing sequence is as follows:

- Cut the ROCKWOOL® SP Firestop Slab to suit the cavity size, ensuring a tight fit.
- After suitably re-profiling the SP Fixing Brackets, they can be built into the bed joints of the internal leaf at 500mm ±10mm centres. Alternatively, the SP Fixing Brackets may be re-profiled by hand into an 'L' shape and mechanically fixed to the face of the inner leaf.
- The ROCKWOOL® SP Firestop Slab is then impaled onto the SP Fixing Bracket after the next lift of inner leaf masonry.
- Work on both leaves can then be continued and must include either a vertical damp proof course or a cavity tray, installed over the ROCKWOOL® SP Firestop Slab as shown in Figure 5.

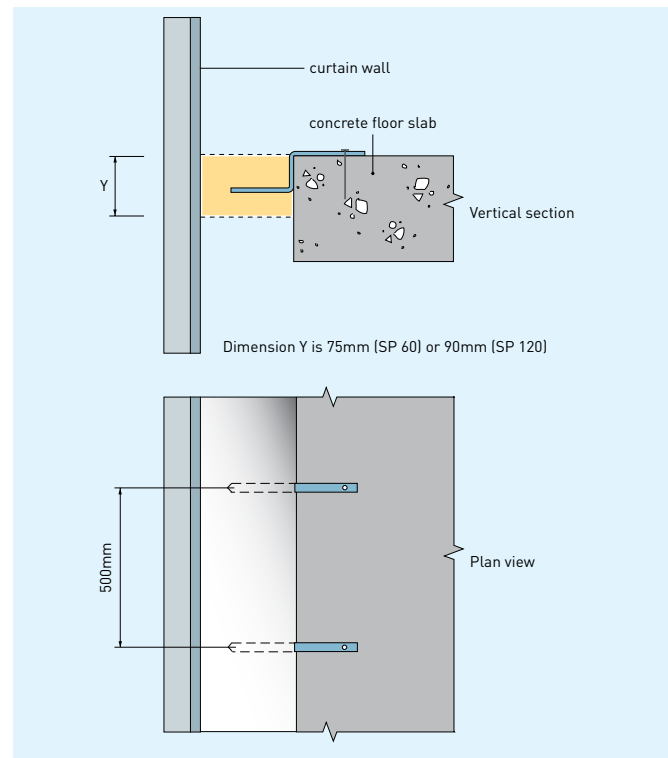


Figure 4 ROCKWOOL® SP Firestop Slab between floor and curtain wall

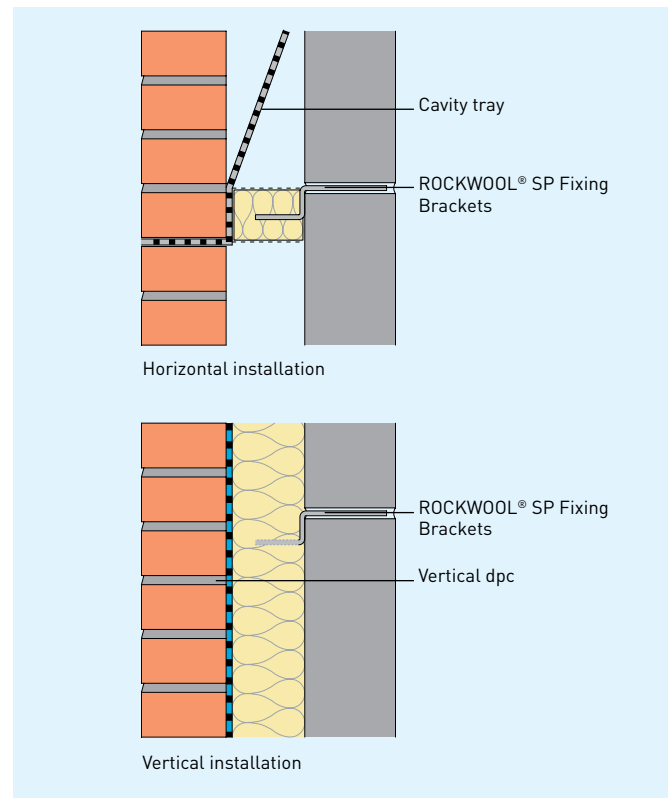


Figure 5 ROCKWOOL® SP Firestop Slab between masonry leaves

*Please note: For cavity widths of 250mm or more, joints between adjacent lengths of firestops should be sealed on the top surface with aluminium foil tape.

Site use

Storage and handling

ROCKWOOL® SP Firestop Slabs are light and easy to handle. They are supplied in compression wrapped polyethylene, which will provide short term protection. For long term storage they must be protected by a waterproof covering.

Estimating quantities

The chart below indicates the usage of ROCKWOOL® SP Firestop Slabs and fixings, assuming accurate site cutting practices.

Cavity width (mm)	Linear metres per slab (m)	Linear metres per pack (m ²)	Number of fixings required per pack
50	12	48	96
55	11	44	88
60	10	40	80
65	9	36	72
70-75	8	32	64
80-85	7	28	56
90-105	6	24	48
110-125	5	20	40
130-155	4	16	32
160-210	3	12	24
215-320	2	8	16
325-400	1	4	8

Typical specifications

Curtain Walling

The cavity fire stop between the edge of the concrete floor slab and curtain walling is to be ROCKWOOL® SP 60 or SP 120 Firestop Slab as manufactured by ROCKWOOL® Limited, Pencoed, Bridgend CF35 6NY to provide 1 hour or 2 hour fire resistance for both integrity and insulation criteria (LPC assessment CC89697). Fixings are ROCKWOOL® SP/S or SP/L Fixing Brackets, fixed in accordance with the details given in the this data sheet.

Slabs should be cut to suit the width of the as-built cavity, allowing an additional 3–5mm for compression, and securely fitted into the void. All joints are to be tightly butted. Refer to *Curtain Walling and External Cladding Systems, below.

Masonry wall cavity

The cavity barrier is ROCKWOOL® SP 60 or SP 120 Firestop Slab to provide 1 hour or 2 hour fire resistance for both integrity and insulation criteria (LPC assessment CC89697).

Fixings are ROCKWOOL® SP/S or SP/L Fixing Brackets, fixed in accordance with the details given in this data sheet. A damp proof membrane or cavity tray is to be installed during the construction of the outer leaf. Slabs should be cut to suit the width of the as-built cavity and securely fitted. All joints are to be tightly butted.

*Curtain walling and external cladding systems

ROCKWOOL® SP FireStop Slabs will provide fire stopping in conjunction with a stable, external façade system. During a fire, if the behaviour of the facade panel or its fixing is such that a gap develops between the ROCKWOOL® SP FireStop Slab and the panel allowing fire to pass through, ROCKWOOL® Limited cannot accept liability for failure. Specifiers should ensure that the choice of the curtain walling components will not diminish firestopping requirements.

Curtain walling systems are manufactured from a wide range of materials which react differently in fire. Large scale independent UK investigations have shown that some glazed or aluminium external cladding systems are liable to integrity failure under attack, within short periods of time - 5 and 20 minutes respectively.

Steel faced composite panels filled with combustible insulation can be unstable under fire attack. Curtain walling systems incorporating fire-sensitive panels may suffer severe movement and buckling, resulting in gaps forming between the panel and the ROCKWOOL® SP FireStop Slab.

Ordering

There are 4 slabs per standard pack. Please quote ROCKWOOL® SP 60 or SP 120 Firestop Slab and the number of packs and brackets required.

Health and Safety

In accordance with REACH health and environment regulations, there are no hazardous classifications associated with ROCKWOOL® mineral wool in respect to physical, health and environmental considerations.

More information

ROCKWOOL® Limited reserves the right to alter or amend the specification of products without notice as our policy is one of constant improvement. The information contained in this data sheet is believed to be correct at the date of publication.

Interested?

For further information, contact the Technical Solutions Team on 0871 222 1780 or email info@rockwool.co.uk

Visit www.rockwool.co.uk to view our complete range of products and services.

ROCKWOOL® Limited
Pencoed
Bridgend
CF35 6NY

info@rockwool.co.uk
www.rockwool.co.uk